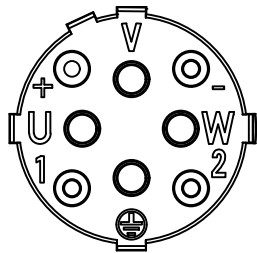
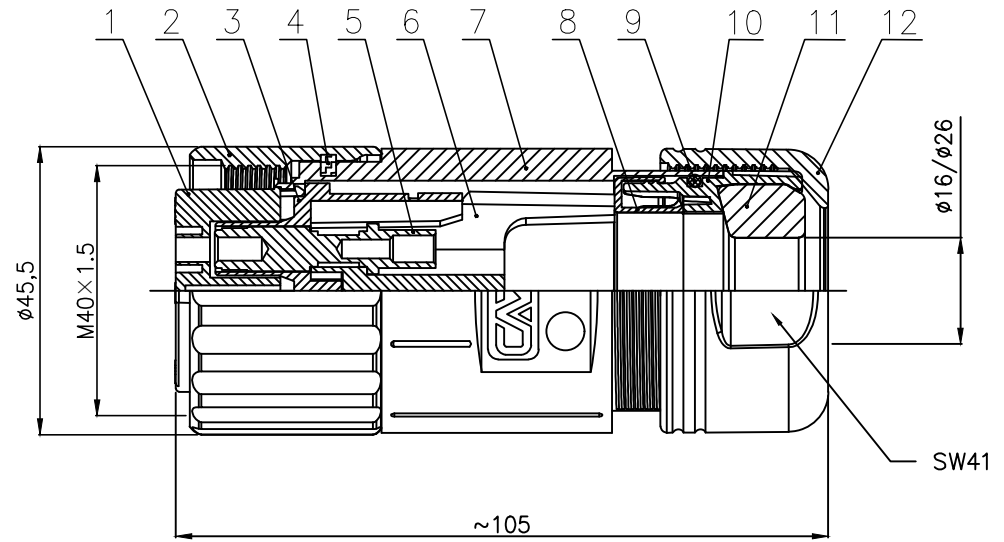
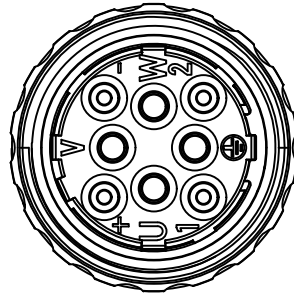


1	2		3			4	5		6		
No.	Specification	Material	Treat	Unit	Q'ty	No.	Specification	Material	Treat	Unit	Q'ty
1	M40 8-core rubber front cover	Nylon	/	pc	1	8	Shield ring	Brass	Nickel plating	pc	1
2	Connecting sleeve of inner screw tooth	Brass	Nickel plating	pc	1	9	Waterproof O-ring	NBR	/	pc	1
3	M40 Connect the clamp spring	Brass	Nickel plating	pc	1	10	Locking wire mesh tail cover	Nylon	/	pc	1
4	M40 Plastic core plastic cover	Plastic	/	pc	1	11	Waterproof silicone plug	Silicone	/	pc	1
5	M40 3.6/2.0 Riveting pressure pin	Brass	Gold plated	pc	4/4	12	Lock nut	Brass	Nickel plating	pc	1
6	M40 The needle body stents	Plastic	/	pc	1						
7	M40 Straight type body	Zinc alloy	Nickel plating	pc	1						


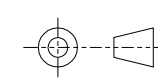


VIEW A



Technical specifications:		Materials:	
Coupling:	Threaded coupling	Shell material:	Zinc alloy, nickel plated
Termination:	Pressure welding	Contact material:	Brass Gold plated
Coding:		Insert material:	PA66 UL9.4-V0
Pollution degree:	3	Sealing:	NBR
Temperature range:	-40°C ~ +130°C		
Degree of protection:	IP67		
Mating cycles:	≥50		
Rated voltage:	630V/250V AC/DC		
Rated current:	70A/30A		
Contact resistance:	≤1 mΩ		
Insulation resistance:	≥100 MΩ		

All materials are RoHS compliant

GENERAL TOLERANCE (UNLESS SPECIFIED) ≤10 ±0.1 <10~≤20 ±0.2 <20~≤50 ±0.5 Angle ±1°	DWN		
	CHK		
	APVD		TITLE M40 Straight female metal plug 8 core
 THIRD ANGLE	UNIT MM	REV A	PART NO
	SIZE A4	SHEET 1 OF 1	DRAWING NO M40G-A-S8