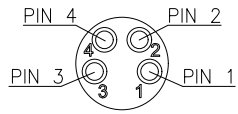
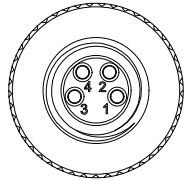


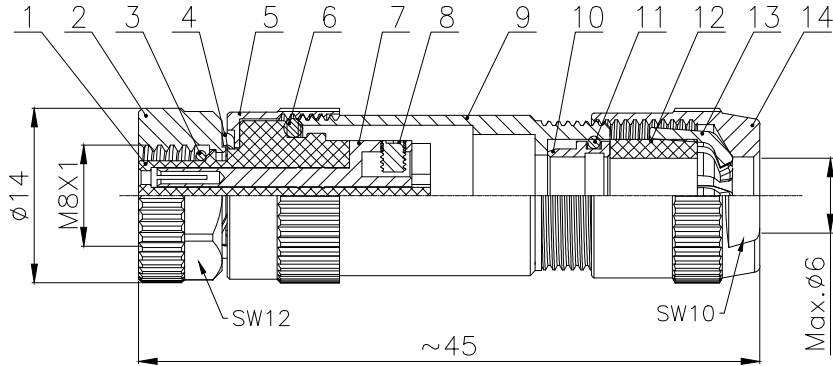
No.	Specification	Unit	Q'ty	No.	Specification	Unit	Q'ty
1	M8 Female Insulator 4 core A code ,PA66 material black	pc	1	9	Straight body copper shell	pc	1
2	M8 Assembled coupling nuts	pc	1	10	Shield ring brass, silver	pc	1
3	Waterproof gasket $\phi 7 * \phi 5.5 * 0.5$ black	pc	1	11	Nitrile butadiene rubber $\phi 8 * \phi 6 * 1$ black	pc	1
4	Corrugated gasket manganese steel, silver	pc	1	12	Waterproof rubber plug Silicone Rubber black	pc	1
5	Main connecting nut copper shell	pc	1	13	Tail paw PA66 black	pc	1
6	Nitrile butadiene rubber $\phi 10 * \phi 7 * 1.5$ black	pc	1	14	Lock cable nut copper shell	pc	1
7	M8 Male contact pin Gold Plated OD:1.0	pc	4				
8	Wire locking screw Carbon steel bright Nickel	pc	4				



VIEW A



A



Technical specifications:		Electrical parameter:	
Coupling:	Threaded coupling	Rated voltage:	60V AC/DC
Termination:	Screw lock	Rated current:	3A
Coding:	A	Contact resistance:	$\leq 5 \text{ m}\Omega$
Pollution degree:	3	Insulation resistance:	$\geq 100 \text{ M}\Omega$
Temperature range:	$-40^{\circ}\text{C} \sim +80^{\circ}\text{C}$	<b>Materials:</b>	
Degree of protection:	IP67	Shell material:	Copper nickel plated
Mating cycles:	$\geq 500$	Contact material:	Copper Gold plated
Cable outlet diameter:	4.0~6.0mm	Insert material:	PA66+GF UL94 black
Traverse area:	Max 0.75mm <sup>2</sup> /AWG 18	Sealing:	Silicone/NBR, black

All materials are RoHS compliant

GENERAL TOLERANCE (UNLESS SPECIFIED)	$\leq 10$	$\pm 0.1$	DWN	DATE	
	$< 10 \sim \leq 20$	$\pm 0.2$	W.M	2023.12.28	
	$< 20 \sim \leq 50$	$\pm 0.5$	CHK	DATE	
	Angle	$\pm 3'$	APVD	DATE	TITLE M8 Straight Female Metal Assembled Plug 4 core
	UNIT	MM	REV	A	PART NO
	SIZE	A4	SHEET	1 OF 1	DRAWING NO M8-S4A-GLAP7